

To all incoming 8th grade students:

Over the summer, you will be responsible for reading a novel and completing a written assignment. The book for incoming 8th grade students is *Fever 1793* by Laurie Halse Anderson. After reading the novel, please complete the attached reading response worksheet packet. The worksheets will be collected upon return to school in September. There will also be a test based on the reading, which will be taken in September, as the first Literature assessment. Please bring the novel to class as there will be a discussion and review of the story prior to the test. In addition to the required reading, each student will choose 2 of the books to read from the list below. Students will not be tested on these books but should be prepared to engage in discussions and answer questions about them.

**Percy Jackson and the Olympians: The Lightning Thief* by Rick Riordan

**Echo* by Pam Munoz Ryan

**The Alchemist* by Paulo Coelho

**Hoot* by Carl Hiaasen

**Walk Two Moons* by Sharon Creech

**Hello Universe* by Erin Entrada Kelly

**The Westing Game* by Ellen Raskin

**Out of My Mind* by Sharon Draper

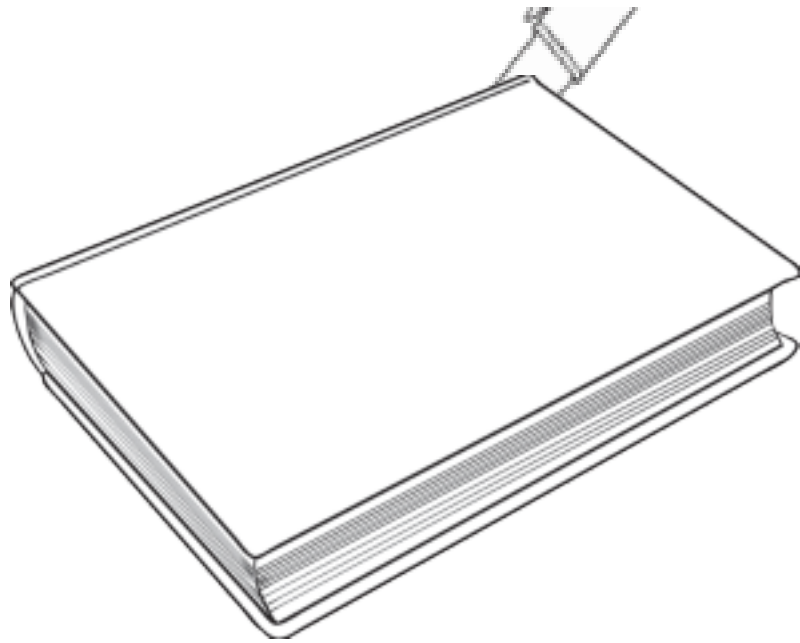
Have a fun, relaxing summer!

Sincerely,

Ms. Jauss

SJauss@smspa.org

Novel Study



Discussion Questions

Using the chosen novel you have completed reading, answer the following questions using complete sentences.

Novel Title:

1. What is the theme of your book? How is it shown in the story?

2. If you could give the main character in your book some advice, what would you tell them?

3. Describe an important event from your recent reading. Why was it important?

Novel Study Discussion Questions

4. Which characters in the book could you relate to the most? Why?

5. How did the author catch the reader's attention throughout the book?

6. What kind of read was this novel? Was it easy or difficult to move through, and why?

7. Would the story have been better if it had been told from a different character's perspective?

8. How do you think the author felt about the main character in this novel? Why?

Novel Study Discussion Questions

9. Were there any repeated ideas or symbols in the novel? What were they, and what did they mean?

10. Would you read another book by this same author?

11. Were you ever upset by something that happened in the book? If so, what was it, and why did it upset you?

12. What scenes from the book stuck with you the most?

13. Would you recommend this book to others? Why or why not?

Novel Study Discussion Questions

14. What was the climax or turning point in the book? What led up to it?

15. How did your opinion of the book change as you read it?

16. If you had to reread a passage or chapter, which would it be and why?

17. In what way was the setting important to the novel?

Novel Study Discussion Questions

18. What was the main conflict, and how was it resolved?

19. What do you think happened to the characters after the book ended?

20. If you could make one change to how the book ended, what would it be?